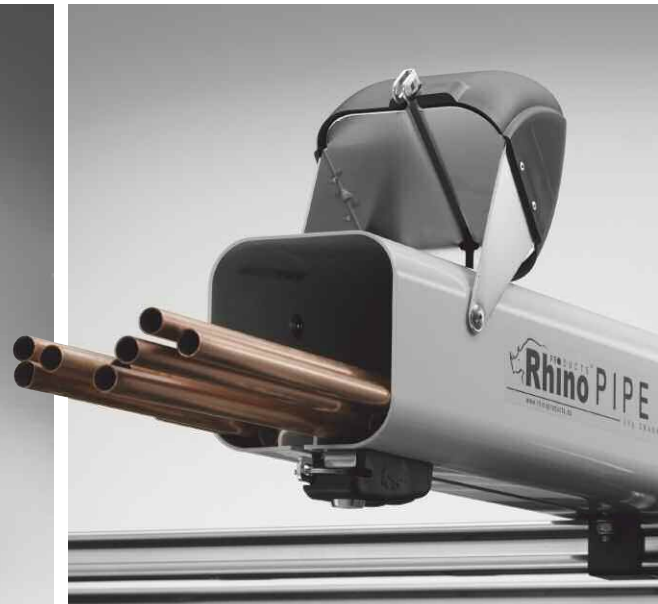


June 2015



Commercial
Vehicles

Rhino Add Ons





AVAILABLE NOW FOR CADDY, CADDY MAXI AND TRANSPORTER – ASK YOUR VAN CENTRE FOR MORE DETAILS

CADDY AND CADDY MAXI		TRANSPORTER	
All Caddy models		All SWB low roof models	
Fitted price exc. VAT	£350.00	Fitted price exc. VAT	£458.33
Fitted price inc. VAT	£420.00	Fitted price inc. VAT	£550.00
All Caddy Maxi models		All LWB low roof models	
Fitted price exc. VAT	£408.33	Fitted price exc. VAT	£500.00
Fitted price inc. VAT	£490.00	Fitted price inc. VAT	£600.00



ALUMINIUM ROOF RACK

A 'next generation' roof rack designed to perform and constructed from highly robust, lightweight aluminium alloy, up to 25% lighter yet as strong as a steel equivalent. This roof rack is not only corrosion resistant and durable, but boasts a stylish design that helps enhance the look of your vehicle.



PIPE TUBE – 3 METRE, LOCKABLE

The perfect solution for transporting lengthy materials, the Pipe Tube is manufactured from powder coated aluminium with a robust nose cone that provides aerodynamic security. It can be locked at both ends and allows transportation of up to 50 x 15mm copper tubes or similar materials.

Fitted price exc. VAT	£141.67
Fitted price inc. VAT	£170.00

RHINO ROOF SYSTEMS.

Innovative. Stylish. Robust. Stable. Rhino Products are a leading UK manufacturer and supplier of high-quality roof racks, bars and accessories – designed specifically for commercial vehicles and a perfect match for your Caddy, Caddy Maxi or Transporter.

The Rhino range of products and accessories not only compliment your vehicle's contemporary design, but also provide the peace-of-mind of being fully-tested in accordance to stringent EU safety regulations – ensuring years of dependable service. For further information about the full range of available products, contact your local Volkswagen Commercial Vehicles Van Centre.

Add Ons

Accessories to help keep your vehicle 100% Volkswagen.

KAMMBAR® REAR ROLLER

(not illustrated)

CADDY AND CADDY MAXI

All models with rear wing doors

Fitted price exc. VAT	£87.50
Fitted price inc. VAT	£105.00

TRANSPORTER

All low roof models with rear wing doors

Fitted price exc. VAT	£104.17
Fitted price inc. VAT	£125.00

All low roof models with tailgate

Fitted price exc. VAT	£95.83
Fitted price inc. VAT	£115.00



SAFECLAMP®

Secure ladders to your Caddy, Caddy Maxi or Transporter with this innovative clamp. Designed to lock down in one swift movement and can accommodate up to three nested ladders. Corrosion resistant and lockable for added security.

Price exc. VAT	£45.83
Price inc. VAT	£55.00



KAMMBAR® ROOF BARS

When you need the versatility to transport loads without the bulk of a rack, Kammbar® roof bars offer a lightweight, yet strong solution. Manufactured from high strength aluminium alloy, they use an aerodynamic profile to minimise wind resistance and noise, whilst helping to reduce fuel consumption. All Kammbar® systems are compatible with rear wing doors and tailgates.

CADDY AND CADDY MAXI

2 bar system – Caddy and Caddy Maxi

Fitted price exc. VAT	£166.67
Fitted price inc. VAT	£200.00

3 bar system – Caddy and Caddy Maxi

Fitted price exc. VAT	£220.83
Fitted price inc. VAT	£265.00

4 bar system – Caddy Maxi only

Fitted price exc. VAT	£250.00
Fitted price inc. VAT	£300.00

TRANSPORTER

2 bar system – all low roof models

Fitted price exc. VAT	£170.83
Fitted price inc. VAT	£205.00

4 bar system – all low roof models

Fitted price exc. VAT	£295.83
Fitted price inc. VAT	£355.00

SAFESTOW³® LADDER SYSTEMS

Make the loading and unloading of your ladders a straight-forward and safe process with the SafeStow³ ladder transport system. Two versions are available, carrying either single or double ladders. Both versions are constructed from lightweight and robust aluminium alloy and stainless steel components, while lifting is made easy with fully-adjustable gas struts.

01 Double ladder (two parallel) SafeStow³® system

02 Single ladder SafeStow³® system

CADDY AND CADDY MAXI

Single ladder SafeStow³® system

Fitted price exc. VAT £841.67

Fitted price inc. VAT £1,010.00

Double ladder SafeStow³® system

Fitted price exc. VAT £941.67

Fitted price inc. VAT £1,130.00

TRANSPORTER

Single ladder SafeStow³® system

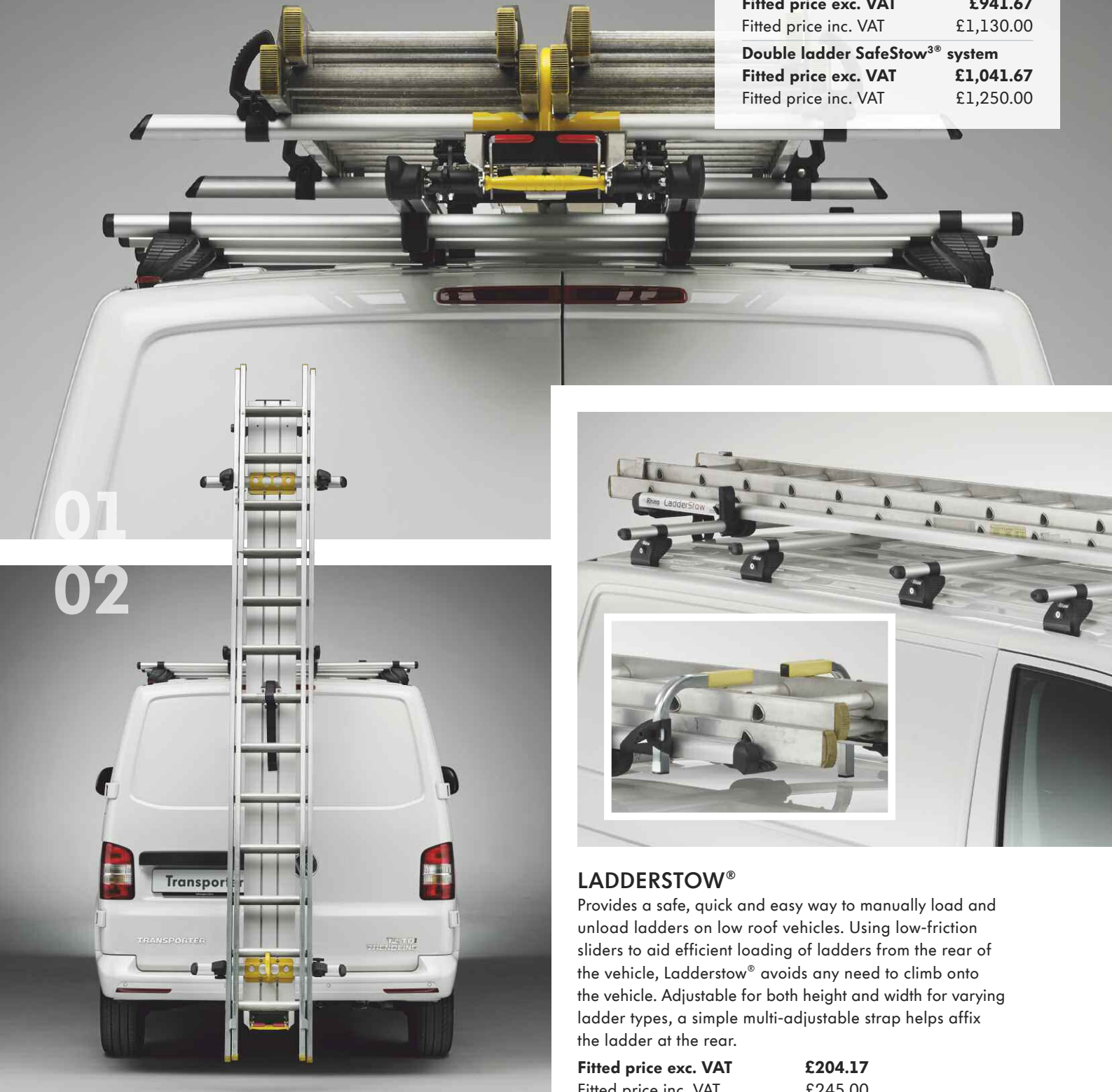
Fitted price exc. VAT £941.67

Fitted price inc. VAT £1,130.00

Double ladder SafeStow³® system

Fitted price exc. VAT £1,041.67

Fitted price inc. VAT £1,250.00



LADDERSTOW[®]

Provides a safe, quick and easy way to manually load and unload ladders on low roof vehicles. Using low-friction sliders to aid efficient loading of ladders from the rear of the vehicle, LadderStow[®] avoids any need to climb onto the vehicle. Adjustable for both height and width for varying ladder types, a simple multi-adjustable strap helps affix the ladder at the rear.

Fitted price exc. VAT £204.17

Fitted price inc. VAT £245.00

VWRHIACC15A

This brochure supersedes all previous publications.

Issue: June 2015

www.volkswagen-vans.co.uk

Please note: All data, specifications and pricing are in accordance with information available at the time of going to print and are subject to change without notice. Vehicles not currently in UK stock and customer order vehicles may take a number of weeks for delivery. Certain combinations of vehicle specification and factory-fitted extras are not compatible and therefore all orders received are subject to confirmation. Please check details and availability with an authorised Volkswagen Van Centre at the time of ordering.